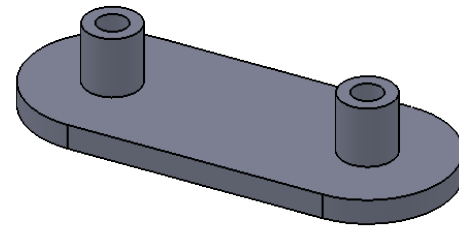
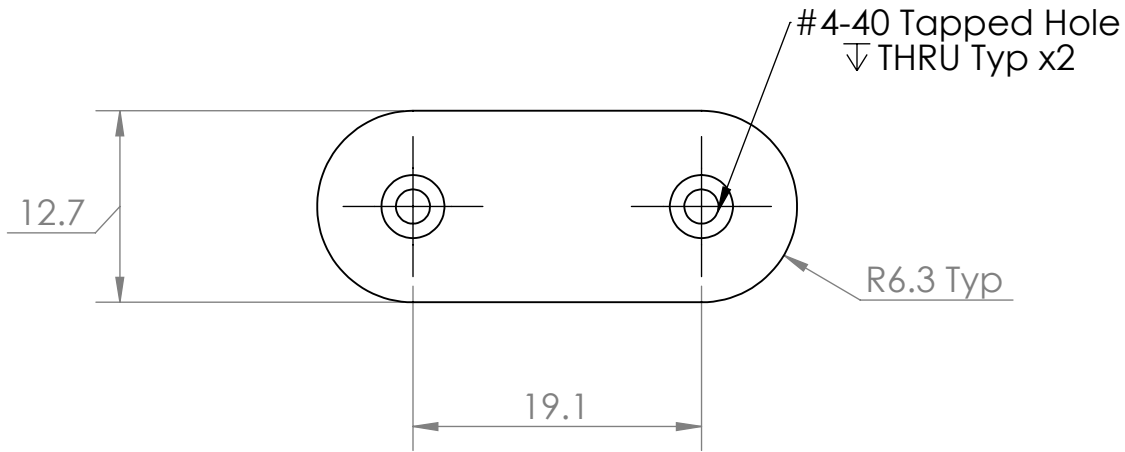


2

1

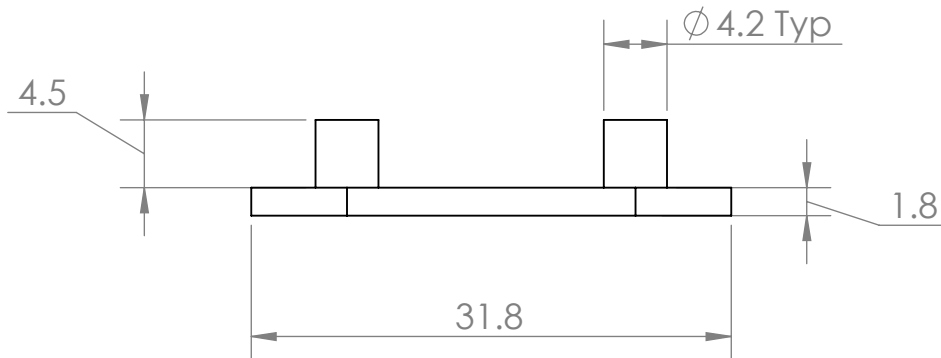
REV	CO#	DESCRIPTION	NAME	DATE
A	01	Initial Release	DW	10/20/16


B



B

A



ALL DIMENSIONS IN MILLIMETERS OR DEGREES UNLESS OTHERWISE NOTED 0.1 ± 0.1 0.01 ± 0.01 0.001 ± 0.001	
PART NAME: <b>Female Double Post</b>	REV: A
	P/N: C003-15
	DRAWN BY: D Wenzel
2:1	DATE: 6/30/16
Aluminum 6061 - Anodized	

A

2

1