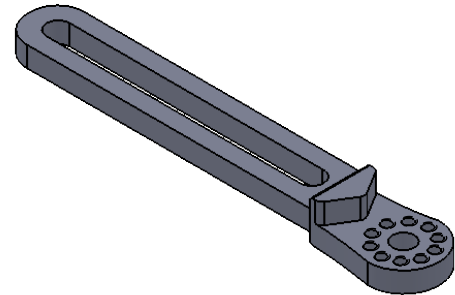
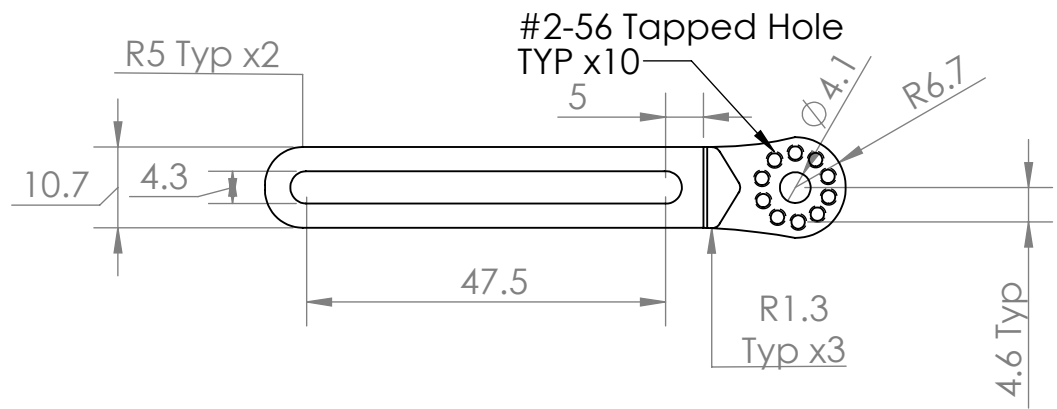


2

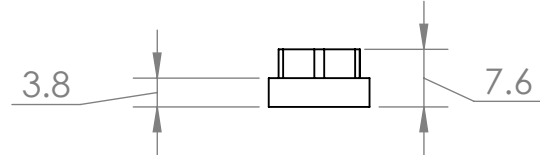
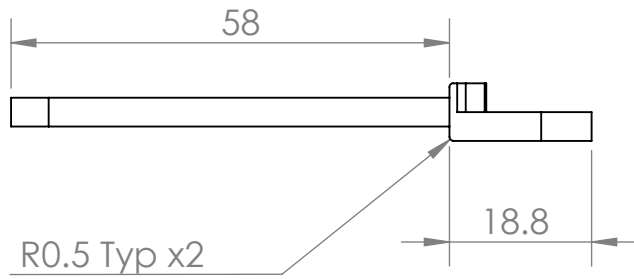
1

REV	CO#	DESCRIPTION	NAME	DATE
A	001	Initial Release	DW	11/30/16
B	006	Increased distance between center of hub and ROM holes.	DW	5/8/17

B



B



A

ALL DIMENSIONS IN MILLIMETERS OR DEGREES UNLESS OTHERWISE NOTED	
0.1 ± 0.1	
0.01 ± 0.01	
0.001 ± 0.001	
PART NAME: XS Hinge - Holes - 70mm	REV: B
P/N: C003-28	
DRAWN BY: D Wenzel	DATE: 11/30/16
1:1	Aluminum 6061 - Anodized

A

2

1

